



CONCRETE CRUSHER

CC 320

Strongest in the fly-weight!



- A powerful lightweight
- Stable steel jaws
- Excellent performance
- Only a small carrier required
- Ideally suited for demolition inside buildings
- Crushes concrete up to 30 cm (11,8 inches)
- Cuts reinforcements up to 20 mm (0,8 inches)
- Replaceable crusher tips made of specially wear resistant steel alloy
- A built-in booster makes the crushing force independent of the carrier's working pressure
- Pivot for 360° rotation

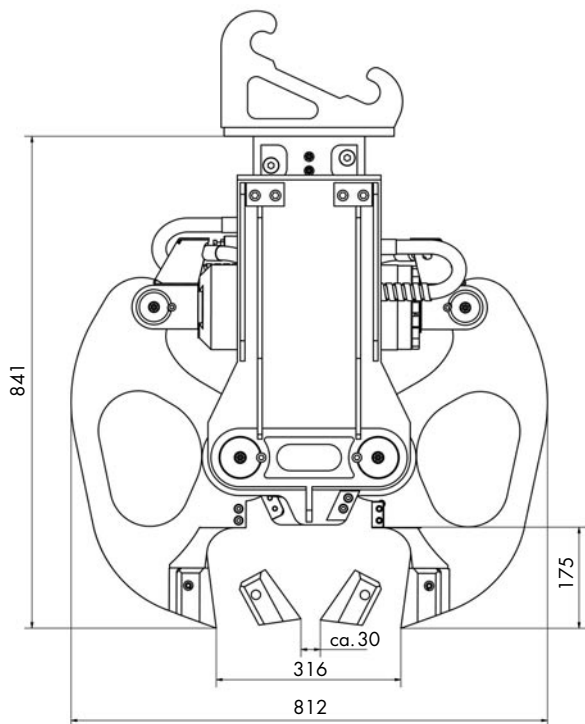
darda

We've got the power.

CONCRETE CRUSHER

CC 320

So small - yet so powerful!



Specifications CC 320

Measurements

Total length ^{1,2}	841 mm	33,1 inches
Total width ¹	812 mm	32,0 inches
Total height	270 mm	10,6 inches
Maximum distance between crusher tips	316 mm	12,4 inches

Weights

Total weight without mounting plate, approx.	ca. 139 kg	306 lbs.
Recommended weight of carrier	0,9 - 1,9 t	1990 - 4180 lbs.

Hydraulics

Minimum pressure	15,5 MPa (155 bar)	2250 psi
Maximum pressure	27 MPa (270 bar)	3900 psi
Working pressure	43 MPa (430 bar)	6230 psi
Oil flow max.	40 l/min	10,6 US gal/min

Performance (at input pressure min 15,5 MPa (155 bar))

Maximum crushing force ⁴	320 kN (32,6 t)	71939 lbf
Maximum cutting force ⁵	900 kN (91,7 t)	202328 lbf
Cutting capacity max.	D = 20 mm	D = 0,8 inches
Time to close ³	ca. 3 s	ca. 3 s
Time to open ³	ca. 2 s	ca. 2 s

¹ When completely extended. ² Without mounting plate. ³ With an oil flow of approx. 40 l/min.

⁴ Force at the crusher tips when open. ⁵ Force at the cutter blades.

Mounting plates for different carriers on request



darda®

We've got the power.

Darda GmbH
Im Tal 1, D-78176 Blumberg
Fon + 49 (0) 77 02 / 43 91 - 0
Fax + 49 (0) 77 02 / 43 91 - 12
info@darda.de
www.darda.de

Our distributor :