



# CONCRETE CRUSHER

# CC 420

**Compact and powerful!**



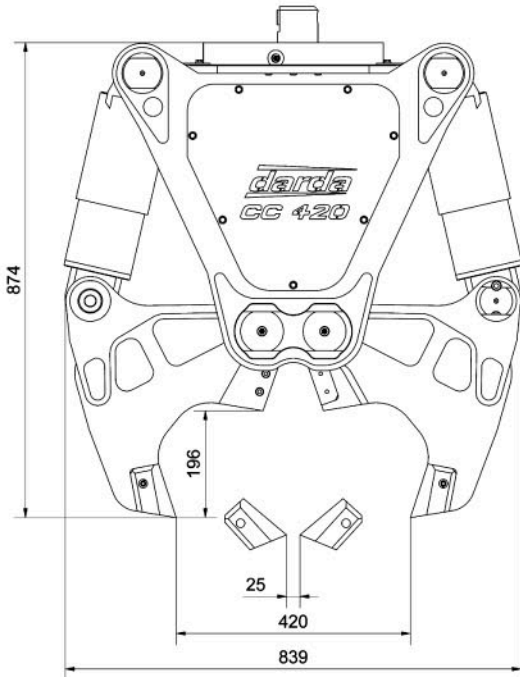
- A powerful lightweight  
– up to 38 t crushing force
- Excellent performance
- Only a small carrier required
- Ideally suited for demolition  
in tight places
- Crushes concrete up to  
40 cm (15 3/4 inches)
- Cuts reinforcements up to  
28 mm (1 1/10 inches)
- Specially wear resistant replace-  
able steel alloy crusher tips  
and cutter blades
- A built-in booster makes the  
crusher independent of the  
carrier's working pressure
- Pivot for 360° rotation

**darda**<sup>®</sup>  
*We've got the power.*

# CONCRETE CRUSHER

# CC 420

## Maximum crushing force in a lightweight attachment!



### Specifications CC 420

Measurements		
Total length <sup>1,2</sup>	874 mm	34 1/2 inches
Total width <sup>1</sup>	839 mm	33 inches
Total height	330 mm	13 inches
Maximum distance between crusher tips	420 mm	16 1/2 inches
Weights		
Total weight without mounting plate, approx.	240 kg	529 lbs.
Recommended weight of carrier <sup>3</sup>	2 - 3.5 t	4409 - 7716 lbs.
Hydraulics		
Minimum pressure	17,5 MPa (175 bar)	2538 psi
Maximum pressure	27 MPa (270 bar)	3900 psi
Working pressure	50 MPa (500 bar)	7252 psi
Oil flow max.	100 l/min	26.4 US gal/min
Performance (at input pressure min 18.5 MPa (185 bar))		
Maximum crushing force <sup>4</sup>	374 kN (38.1 t)	84078 lbf
Maximum cutting force <sup>5</sup>	1240 kN (126 t)	278762 lbf
Cutting capacity max.	D = 28 mm	D = 1 1/16 inches
Time to close <sup>6</sup> approx.	2.3 s	2.3 s
Time to open <sup>6</sup> approx.	1.8 s	1.8 s



<sup>1</sup> When completely extended. <sup>2</sup> Without mounting plate. <sup>3</sup> Depends on carrying capacity table of the mini-excavator manufacturer. <sup>4</sup> Force at the crusher tips when open. <sup>5</sup> Force at the cutter blades.

<sup>6</sup> With an oil flow of approx. 70 l/min.

Mounting plates for different carriers on request.

# darda®

*We've got the power.*

Darda GmbH  
Im Tal 1, D-78176 Blumberg  
Fon + 49 (0) 77 02 / 43 91 - 0  
Fax + 49 (0) 77 02 / 43 91 - 12  
info@darda.de  
www.darda.de

Our distributor :